



Connecting Communication ESS Kits

Vers. 2: #30480

Vers. 3: #30481

Vers. 6: #30482

Vers. 9: #30483

Vers. 12: #30484

ORIGINAL SHORT INSTRUCTIONS



SHORT INSTRUCTION NOTES

These short instructions describe how to connect the communication cables to operate several ESS modules.

For installation of the ESS modules, please refer to the original operating instructions.

SAFETY INSTRUCTIONS

Installation, commissioning and maintenance of the ESS must be carried out by a certified electrician.

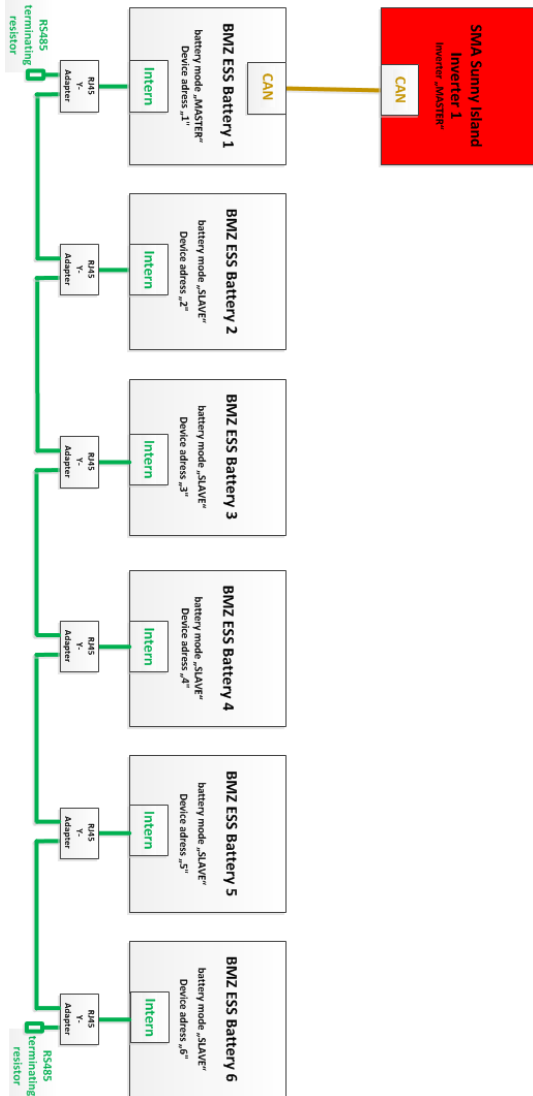
Read the operating instructions carefully before use. Non-observance of the operating instructions may result in electric shock, fire, explosion and burns.

SCOPE OF DELIVERY

Art. No.	Description	#30480	#30481	#30482	#30483	#30484
29740	Y-adapter	2	3	6	9	12
28071	termination plug	2	2	2	2	2
30477	network cable, 5 m	1	1	2	3	4
28907	network cable, 1,5 m	1	2	4	6	8
16316-1	label ESS-master	1	1	1	1	1
16316-1	label ESS-slave	1	2	5	8	11
	Short Instructions	1	1	1	1	1

COMMUNICAITON CONNECTION

EXAMPLE: VERSION 6



NOTE: Parallel connected modules must be parameterised as described in the original operating instructions.

IMAGES

Y-adapter in internal:



master:



middle slaves:



final slave:



**BMZ GmbH**

Am Sportplatz 28
63791 Karlstein am Main
Germany
Phone +49 61 88-9956-0
Fax +49 61 88-9956-900
kontakt@bmz-group.com

Web

www.bmz-group.com

Service

CS.BigPack@bmz-gmbh.de

BMZ Company Ltd.

2nd Building, NO.2 Jinlong
Street
Baolong Industry Zone,
Longgang
518116 Shenzhen
China
Phone +86 755 89775-800
Fax +86 755 89775-900
sales@bmz-group.com

BMZ USA Inc.

2656 Lishelle Place
Virginia Beach, VA 23452
USA
Phone +1 757 821-8494
Fax +1 757 821-9499
info@bmz-usa.com

BMZ Poland Sp. z o.o.

Ul. Leonarda da Vinci 5
PL-44-109 Gliwice
Poland
Phone +48 32 7842-450
Fax +48 32 7842-451
biuro@bmz-group.com

BMZ France S.A.R.L.

153, Boulevard Haussmann
75008 Paris
France
Phone +33 6 84 52 76 29
jean-marc.brunet@bmz-
group.com